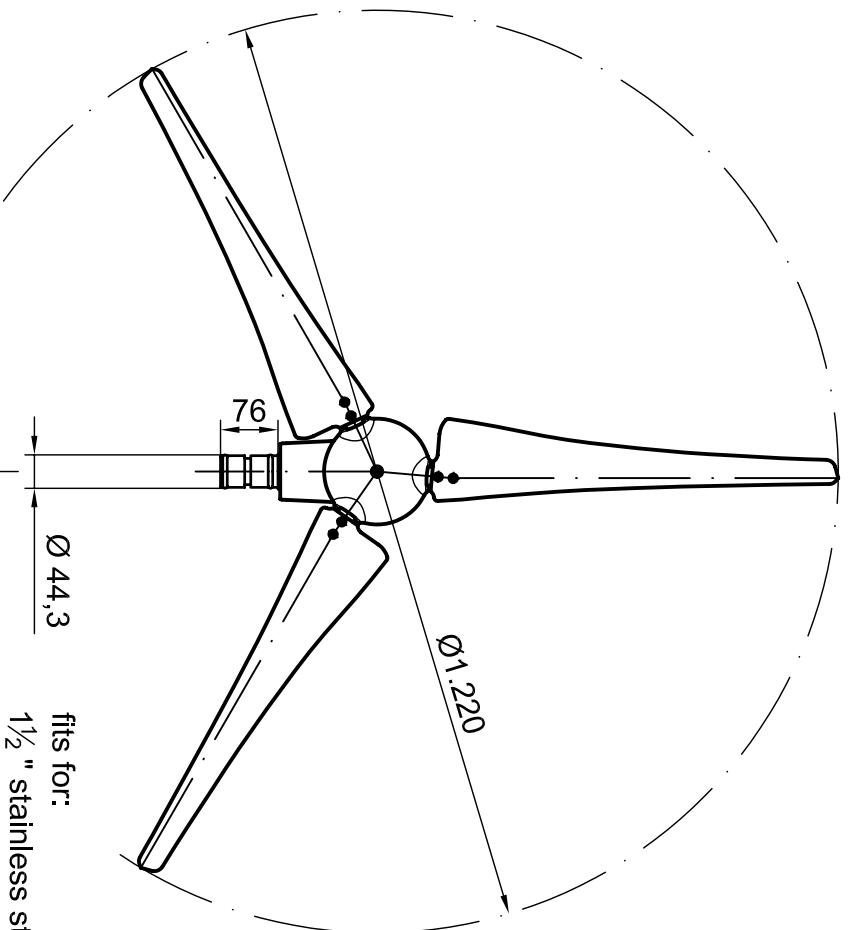


dimensions in mm



fits for:
 1½ " stainless steel tube ($\text{Ø} 48,3 \times 2,0$)

fits for:
 2 " stainless steel tube ($\text{Ø} 60,3 \times 2,0$)
 2 " steel tube ($\text{Ø} 60,3 \times 2,3$)
 aluminium tube ($\text{Ø} 60 \times 2,5$)