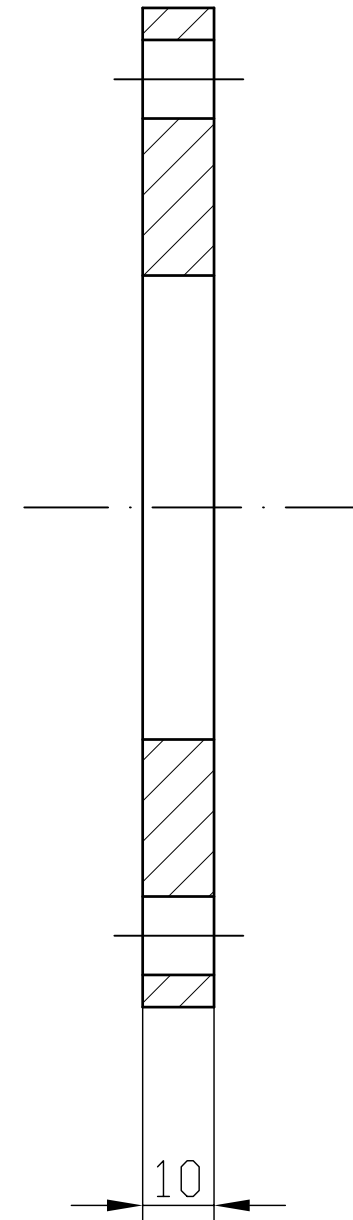
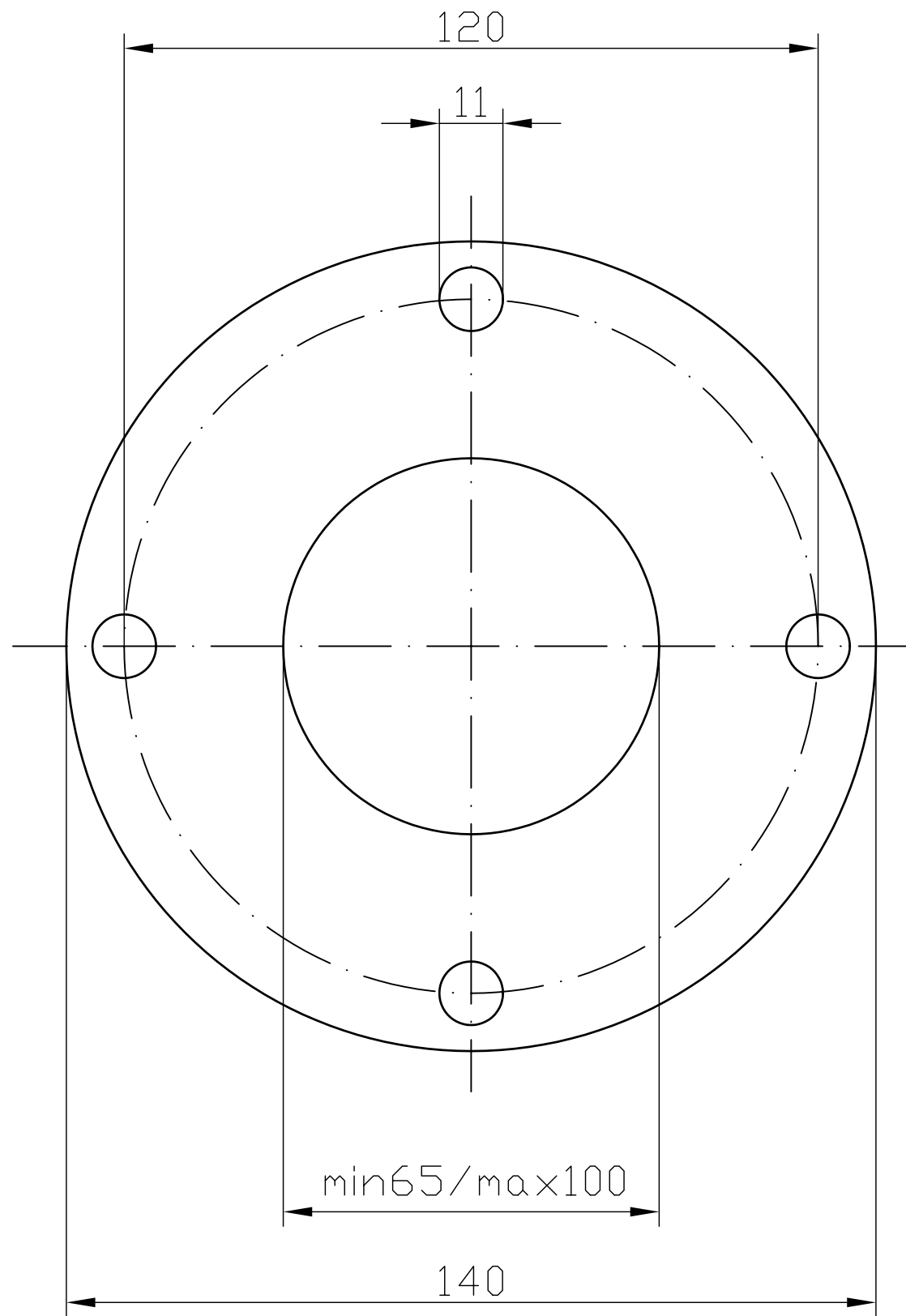


The reproduction and / or divulgation of this drawing or its included information is strictly prohibited unless authorized by the owning superwind GmbH.
(Copyright reserved)



project				tolerances		surfaces		scale 1:1		weight	
<i>superwind 1250</i>				DIN 7168 mittel		DIN ISO 1302		raw material		St 37	
				date		name		Flange for Mast			
				drawn		v. Egeren					
				check.							
				superwind GmbH Am Rankewerk 2-4 D - 50321 Brühl Germany						sheet	
ident	changes	date	name	source		replacement for		replaced by			